



## Catalog Sheet

### AUM 3

#### Automatic Surface-Mounted Basin Faucet

The AUM 3 is a simple and elegant automatic basin faucet with touchless control. The water temperature can be adjusted using a thermostatic or mixing valve, which is concealed beneath the sink (or in the pedestal). The user cannot adjust the settings. When hands are placed under the spout (in the sensor zone), the water automatically flows by opening the solenoid valve, which remains active for a set time after hands are removed (run-out time). If the sensor is blocked continuously, the valves close after 30 seconds. The faucet is equipped with protection against mixing hot and cold water.

The automatic basin faucet AUM 3 complies with EU standards and is intended for use wherever user comfort with maximum water savings is required.

For maintenance, we recommend using LARRIN cleaning products.



#### Complete Delivery Includes:

- Spout with sensor
- Electronics with mounting bracket
- Solenoid valve (AUM 3.2 – 2 units)
- Thermostatic valve with check valves (AUM 3.TV and .TVB)
- Mixing T-piece with check valves (AUM 3.2B)
- Angle valve with filter (AUM 3.2, .TV, .2B, and .TVB – 2 units)
- Battery holder (AUM 3.B)
- AA battery 1.5 V (AUM 3.B) – 4 units
- Connection hoses
- Mounting bracket
- M8 screw with nut and washers
- Tube of sealant

#### Model Variants:

- **AUM 3.1:** Basin faucet for single water supply - 12V, 50 Hz
- **AUM 3.1B:** Basin faucet for single water supply with battery power - 6V (4x1.5)
- **AUM 3.2:** Basin faucet for hot and cold water - 12V, 50 Hz
- **AUM 3.2B:** Basin faucet for hot and cold water with battery power - 6V (4x1.5)
- **AUM 3.E:** Basin faucet for flow heater - 12V, 50 Hz
- **AUM 3.TV:** Basin faucet for hot and cold water with thermostatic valve - 12V, 50 Hz
- **AUM 3.TVB:** Basin faucet for hot and cold water with thermostatic valve - 6V (4x1.5)



### Technical Details:

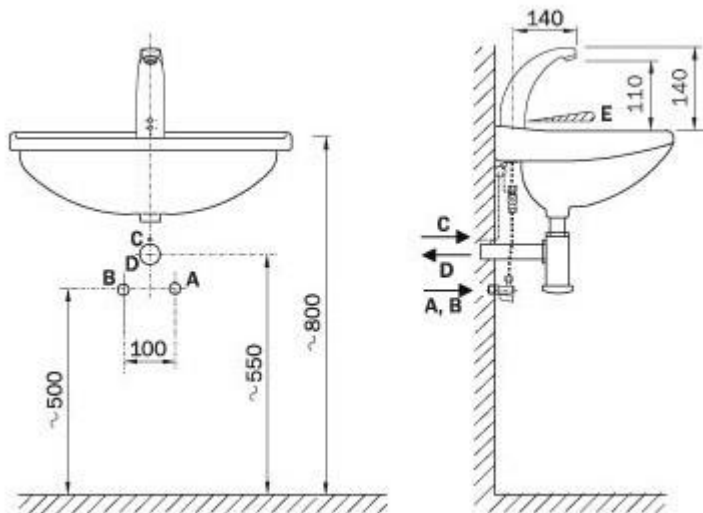
- Sensor range: automatic (adjustable with remote control)
- Water inlet: G 1/2"
- Water pressure:
  - 0.2 - 0.8 MPa (AUM 3.B)
  - 0.1 - 1.0 MPa (AUM 3)
  - 0.3 MPa (AUM 3.E)
- Minimum installation hole diameter: 33 mm
- Run-out time: 0 - 4 s (preset to 1 s)
- Power supply:
  - 12 V, 50 Hz (AUM 3)
  - 6 V DC (AUM 3.B)
- Power consumption:
  - 10 VA (AUM 3)
  - 6 VA (AUM 3.1, 3.TV, 3.E)
- Power source:
  - ZAC 1/20 (max. 2× AUM 3.2; max. 3× AUM 3.1, 3.TV, 3.E)
  - ZAC 1/36L (max. 4× AUM 3.2; max. 6× AUM 3.1, 3.TV, 3.E)
  - ZAC 1/50 (max. 5× AUM 3.2; max. 8× AUM 3.1, 3.TV, 3.E)
  - AA batteries - 1.5 V (AUM 3.B) - 4 units (battery life with 100 activations per day - approx. 1.5 years)
- Weight: 2.0 kg

### Installation Requirements:

- Water supply prepared - G 1/2" as per diagram.
- Drain prepared according to the siphon.
- Power cable prepared - 12 V, 50 Hz from ZAC power supply (not applicable for AUM 3.B).
- Sink installed according to the diagram.



## Diagram



A – Cold water inlet G 1/2"

B – Hot water inlet G 1/2"

C – Power supply 12 V, 50 Hz from ZAC

E – Sensor zone

A – Cold water (AUM 3.2, .2B, .TV, .TVB), mixed water (AUM 3.1, .1B, .E), internal G 1/2" pipe

B – Hot water (AUM 3.2, .2B, .TV, .TVB), internal G 1/2" pipe

C – Power supply (AUM 3) CYKY cable 2Ax1.5

D – Drain

E – Sensor zone